



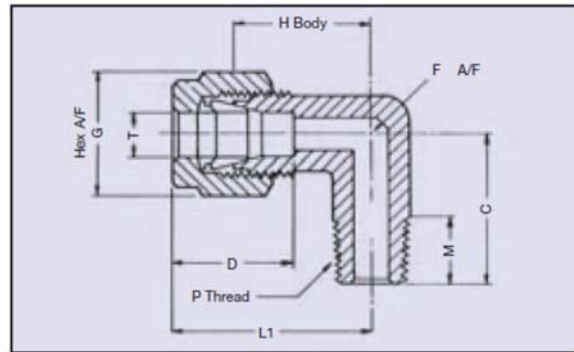
ASTON FITTINGS & FLANGES MANUFACTURING LTD.



Cert. No. LRQ 0961092

Tel: ++44 (0)121-778 6001
 Fax: ++44 (0)121-778 6002
 sales@astonfittings.com

Male Elbows



METRIC RANGE (Dimensions in mm)

Part No.	T o/d	P Thread	L1 Length	M	C	D	F A/F	G Nut	H Body
4mME2	4	1/8	25.4	9.7	19.3	13.5	12	12	19.0
6mME2	6	1/8	27.0	9.7	19.8	15.3	12	14	19.8
6mME4	6	1/4	27.0	14.2	23.9	15.3	12	14	19.8
6mME6	6	3/8	28.5	14.2	25.4	15.3	14	14	21.4
6mME8	6	1/2	30.3	19.0	3.0	15.3	19	14	23.2
8mME2	8	1/8	29.6	9.7	20.8	16.2	14	17	22.2
8mME4	8	1/4	29.6	14.2	25.4	16.2	14	17	22.2
8mME6	8	3/8	29.6	14.2	25.4	16.2	14	17	22.2
8mME8	8	1/2	31.3	19.0	32.0	16.2	19	17	24.0
10mME4	10	1/4	30.1	14.2	25.4	16.6	14	19	23.2
10mME6	10	3/8	30.1	14.2	25.4	16.6	14	19	23.2
10mME8	10	1/2	31.9	19.0	32.0	16.6	19	19	24.9
12mME4	12	1/4	35.1	14.2	27.4	22.9	19	22	24.9
12mME6	12	3/8	35.1	14.2	27.4	22.9	19	22	24.9
12mME8	12	1/2	35.1	19.0	32.0	22.9	19	22	24.9

IMPERIAL RANGE (Dimensions in inches)

Part No.	T o/d	P Thread	L1 Length	M	C	D	F A/F	G Nut	H Body
2ME2	1/8	1/8	.97	.38	.76	.50	.47	7/16	.72
2ME4	1/8	1/4	.97	.56	.94	.50	.47	7/16	.72
4ME2	1/4	1/8	1.06	.38	.76	.60	.47	9/16	.78
4ME4	1/4	1/4	1.06	.56	.94	.60	.47	9/16	.78
4ME6	1/4	3/8	1.12	.56	1.00	.60	.55	9/16	.84
4ME8	1/4	1/2	1.19	.75	1.26	.60	.75	9/16	.91
5ME2	5/16	1/8	1.17	.38	.82	.64	.55	5/8	.88
5ME4	5/16	1/4	1.17	.56	1.00	.64	.55	5/8	.88
6ME2	3/8	1/8	1.18	.38	.82	.66	.55	11/16	.91
6ME4	3/8	1/4	1.18	.56	1.00	.66	.55	11/16	.91
6ME6	3/8	3/8	1.18	.56	1.00	.66	.55	11/16	.91
6ME8	3/8	1/2	1.25	.75	1.26	.66	.75	11/16	.98
8ME4	1/2	1/4	1.38	.56	1.08	.90	.75	7/8	.98
8ME6	1/2	3/8	1.38	.56	1.08	.90	.75	7/8	.98
8ME8	1/2	1/2	1.38	.75	1.26	.90	.75	7/8	.98
12ME8	3/4	1/2	1.59	.75	1.41	1.00	1.06	1-1/8	1.15
12ME12	3/4	3/4	1.55	.75	1.39	1.00	1.06	1-1/8	1.11

- Stainless Steel 316
- Silver Plated Nuts

WE RESERVE THE RIGHT TO CHANGE TOLERANCES AND DIMENSIONS WITHOUT PRIOR NOTICE
 PLEASE CONTACT US IF TOLERANCES AND DIMENSIONS ARE CRITICAL

Units 1-3 Eagle Works 2 Springcroft Road Tyseley Birmingham B11 3EL England

Visit our web page at: <http://www.astonfittings.com>

VALVES - FITTINGS - FLANGES

TUBE - INSTRUMENTATION PACKAGES - SUB CONTRACT MACHINING

Registered in England No 2913370