



# ASTON FITTINGS & FLANGES MANUFACTURING LTD.

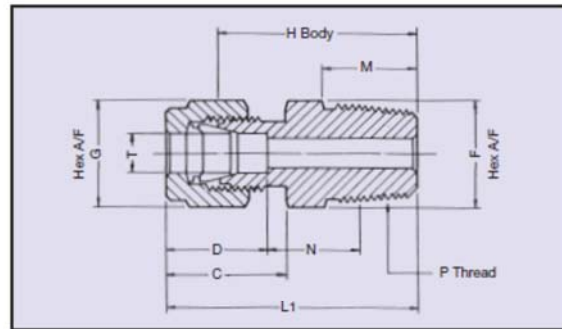


Cert. No. LRQ 0961092

Tel: ++44 (0)121-778 6001  
 Fax: ++44 (0)121-778 6002  
 sales@astonfittings.com

## MALE CONNECTORS

Available with NPT, BSPT or BSP Parallel Threads



METRIC RANGE (Dimensions in mm)

Part No.	T o/d	P Thread	L1 Length	M	C	D	F A/F	G Nut	H Body	N
4mMC2	4	1/8	30.5	9.7	15.7	13.5	12	12	24.1	10.8
4mMC4	4	1/4	35.4	14.2	15.7	13.5	14	12	28.8	15.8
6mMC2	6	1/8	32.8	9.7	17.3	15.3	14	14	25.6	11.2
6mMC4	6	1/4	32.8	14.2	17.3	15.3	14	14	30.2	12.7
6mMC6	6	3/8	38.2	14.2	17.3	15.3	19	14	30.9	13.5
6mMC8	6	1/2	43.6	19.0	17.3	15.3	22	14	36.4	15.9
8mMC2	8	1/8	33.9	9.7	18.3	16.2	14	17	26.6	11.6
8mMC4	8	1/4	38.5	14.2	18.3	16.2	14	17	31.3	13.1
10mMC2	10	1/8	35.0	9.7	19.0	16.6	17	19	28.0	12.0
10mMC4	10	1/4	39.5	14.2	19.0	16.6	17	19	32.6	13.5
10mMC6	10	3/8	39.5	14.2	19.0	16.6	19	19	32.6	13.5
10mMC8	10	1/2	45.1	19.0	19.0	16.6	22	19	38.1	15.9
10mMC12	10	3/4	45.8	19.0	19.0	16.6	27	19	38.9	15.1
12mMC4	12	1/4	43.5	14.2	22.1	22.9	22	22	33.3	11.2
12mMC6	12	3/8	43.5	14.2	22.1	22.9	22	22	33.3	11.2
12mMC8	12	1/2	48.3	19.0	22.1	22.9	22	22	38.1	12.7
12mMC12	12	3/4	49.1	19.0	22.1	22.9	27	22	38.9	12.0
16mMC6	16	3/8	44.9	14.2	22.6	24.9	24	27	34.0	10.4
16mMC8	16	1/2	49.7	19.0	22.6	24.9	24	27	38.9	11.9
16mMC12	16	3/4	49.7	19.0	22.6	24.9	27	27	38.9	10.4
18mMC12	18	3/4	51.8	19.0	22.8	25.0	27	30	40.8	10.4
25mMC12	25	3/4	57.1	19.0	27.0	31.7	36	41	45.2	12.0

IMPERIAL RANGE (Dimensions in inches)

Part No.	T o/d	P Thread	L1 Length	M	C	D	F A/F	G Nut	H Body	N
1MC2	1/16	1/8	1.00	.38	.44	.34	7/16	5/16	.85	.41
2MC2	1/8	1/8	1.17	.38	.60	.50	7/16	7/16	.91	.41
2MC4	1/8	1/4	1.39	.56	.60	.50	9/16	7/16	1.13	.50
3MC2	3/16	1/8	1.19	.38	.60	.54	7/16	1/2	.94	.43
3MC4	3/16	1/4	1.41	.56	.60	.54	9/16	1/2	1.16	.54
4MC2	1/4	1/8	1.29	.38	.68	.60	1/2	9/16	1.01	.45
4MC4	1/4	1/4	1.47	.56	.68	.60	9/16	9/16	1.19	.50
4MC6	1/4	3/8	1.50	.56	.68	.60	11/16	9/16	1.22	.56
4MC8	1/4	1/2	1.71	.75	.68	.60	7/8	9/16	1.43	.67
5MC2	5/16	1/8	1.33	.38	.73	.64	9/16	5/8	1.04	.46
5MC4	5/16	1/4	1.51	.56	.73	.64	9/16	5/8	1.22	.54
6MC2	3/8	1/8	1.38	.38	.76	.66	5/8	11/16	1.10	.48
6MC4	3/8	1/4	1.50	.56	.76	.66	5/8	11/16	1.28	.57
6MC6	3/8	3/8	1.60	.56	.76	.66	11/16	11/16	1.29	.56
6MC8	3/8	1/2	1.78	.75	.76	.66	7/8	11/16	1.50	.67
6MC12	3/8	3/4	1.81	.75	.76	.66	1-1/16	11/16	1.53	.68
8MC4	1/2	1/4	1.71	.56	.86	.90	13/16	7/8	1.31	.47
8MC6	1/2	3/8	1.71	.56	.86	.90	13/16	7/8	1.31	.46
8MC8	1/2	1/2	1.90	.75	.86	.90	7/8	7/8	1.50	.54
8MC12	1/2	3/4	1.93	.75	.86	.90	1-1/16	7/8	1.53	.55
10MC6	5/8	3/8	1.74	.56	.86	.96	15/16	1	1.34	.43
10MC8	5/8	1/2	1.95	.75	.86	.96	15/16	1	1.53	.51
12MC8	3/4	1/2	2.03	.75	.91	1.00	1-1/16	1-1/8	1.59	.57
12MC12	3/4	3/4	2.03	.75	.91	1.00	1-1/16	1-1/8	1.59	.55
12MC16	3/4	1	2.25	.94	.91	1.00	1-3/8	1-1/8	1.81	.68
16MC12	1	3/4	2.28	.75	1.06	1.25	1-3/8	1-1/2	1.78	.55
16MC16	1	1	2.47	.94	1.06	1.25	1-3/8	1-1/2	1.97	.65

- Stainless Steel 316
- Silver Plated Nuts

WE RESERVE THE RIGHT TO CHANGE TOLERANCES AND DIMENSIONS WITHOUT PRIOR NOTICE  
 PLEASE CONTACT US IF TOLERANCES AND DIMENSIONS ARE CRITICAL

Units 1-3 Eagle Works 2 Springcroft Road Tyseley Birmingham B11 3EL England

Visit our web page at: <http://www.astonfittings.com>

VALVES - FITTINGS - FLANGES

TUBE - INSTRUMENTATION PACKAGES - SUB CONTRACT MACHINING

Registered in England No 2913370