



# ASTON FITTINGS & FLANGES MANUFACTURING LTD.

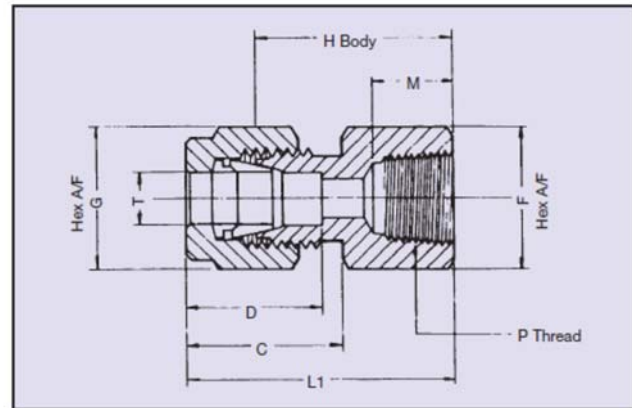


Cert. No. LRQ 0961092

Tel: ++44 (0)121-778 6001  
Fax: ++44 (0)121-778 6002  
sales@astonfittings.com

## FEMALE CONNECTORS

Available with NPT, BSPT or BSP Parallel Threads



### METRIC RANGE (Dimensions in mm)

Part No.	T o/d	P Thread	L1 Length	M	C	D	F A/F	G Nut	H Body
6mFC2	6	1/8	31.	9.9	17.3	15.3	14	14	23.9
6mFC4	6	1/4	35.7	15.0	17.3	15.3	19	14	28.4
6mFC6	6	3/8	37.2	15.0	17.3	15.3	22	14	30.0
6mFC8	6	1/2	42.1	19.8	17.3	15.3	27	14	34.8
8mFC2	8	1/8	29.5	10.0	18.3	16.2	14	17	24.7
8mFC4	8	1/4	36.7	15.0	18.3	16.2	19	17	29.4
10mFC4	10	1/4	37.3	15.0	19.0	16.6	19	19	30.2
10mFC6	10	3/8	38.8	15.0	19.0	16.6	22	19	31.8
10mFC8	10	1/2	43.6	19.8	19.0	16.6	27	19	36.6
12mFC4	12	1/4	41.9	15.0	22.1	22.9	22	22	31.8
12mFC6	12	3/8	41.9	15.0	22.1	22.9	22	22	31.8
12mFC8	12	1/2	46.8	19.8	22.1	22.9	27	22	36.6
16mFC8	16	1/2	47.4	19.8	22.6	24.9	27	27	36.6
18mFC12	18	3/4	49.0	20.6	22.8	25.0	32	30	38.1
20mFC8	20	1/2	46.8	19.8	22.8	25.0	30	32	36.5
25mFC12	25	3/4	62.9	20.6	27.0	31.7	36	41	50.2

### IMPERIAL RANGE (Dimensions in inches)

Part No.	T o/d	P Thread	L1 Length	M	C	D	F A/F	G Nut	H Body
1FC1	1/16	1/16	.97	.39	.43	.33	1/2	5/16	.82
2FC2	1/8	1/8	1.14	.39	.60	.50	9/16	7/16	.88
2FC4	1/8	1/4	1.32	.59	.60	.50	3/4	7/16	1.06
4FC2	1/4	1/8	1.22	.39	.68	.60	9/16	9/16	.94
4FC4	1/4	1/4	1.40	.59	.68	.60	3/4	9/16	1.12
4FC6	1/4	3/8	1.47	.59	.68	.60	7/8	9/16	1.19
4FC8	1/4	1/2	1.69	.78	.68	.60	1-1/16	9/16	1.41
5FC2	5/16	1/8	1.26	.39	.73	.64	3/4	5/8	.97
5FC4	5/16	1/4	1.45	.59	.73	.64	3/4	5/8	1.16
6FC2	3/8	1/8	1.28	.39	.76	.66	5/8	11/16	1.00
6FC4	3/8	1/4	1.47	.59	.76	.66	3/4	11/16	1.19
6FC6	3/8	3/8	1.53	.59	.76	.66	7/8	11/16	1.25
6FC8	3/8	1/2	1.72	.78	.76	.66	1-1/16	11/16	1.44
8FC4	1/2	1/4	1.65	.59	.86	.90	13/16	7/8	1.25
8FC6	1/2	3/8	1.66	.59	.86	.90	7/8	7/8	1.25
8FC8	1/2	1/2	1.85	.78	.86	.90	1-1/16	7/8	1.44
12FC8	3/4	1/2	1.88	.78	.91	1.00	1-1/16	1-1/8	1.44
12FC12	3/4	3/4	2.00	.81	.91	1.00	1-5/16	1-1/8	1.51

- Stainless Steel 316
- Silver Plated Nuts

WE RESERVE THE RIGHT TO CHANGE TOLERANCES AND DIMENSIONS WITHOUT PRIOR NOTICE  
PLEASE CONTACT US IF TOLERANCES AND DIMENSIONS ARE CRITICAL

Units 1-3 Eagle Works 2 Springcroft Road Tyseley Birmingham B11 3EL England

Visit our web page at: <http://www.astonfittings.com>

VALVES - FITTINGS - FLANGES

TUBE - INSTRUMENTATION PACKAGES - SUB CONTRACT MACHINING

Registered in England No 2913370