



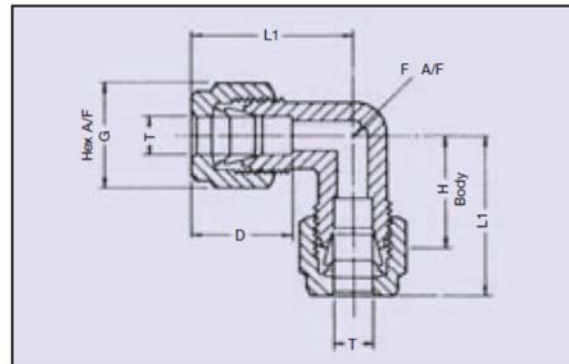
ASTON FITTINGS & FLANGES MANUFACTURING LTD.



Cert. No. LRQ 0961092

Tel: ++44 (0)121-778 6001
 Fax: ++44 (0)121-778 6002
 sales@astonfittings.com

Union Elbows



METRIC RANGE (Dimensions in mm)

Part No.	T o/d	L1 Length	D	F A/F	G Nut	H Body
4mELU	4	25.4	13.5	12	12	19.0
6mELU	6	27.0	15.3	12	14	19.8
8mELU	8	29.5	16.2	14	17	22.2
10mELU	10	30.0	16.6	14	19	23.2
12mELU	12	35.2	22.9	19	22	24.9
16mELU	16	37.6	24.9	24	27	27.0
18mELU	18	39.7	25.0	27	30	29.4

IMPERIAL RANGE (Dimensions in inches)

Part No.	T o/d	L1 Length	D	F A/F	G Nut	H Body
1ELU	1/16	.82	.33	.47	5/16	.67
2ELU	1/8	.97	.50	.47	7/16	.72
4ELU	1/4	1.06	.60	.47	9/16	.78
5ELU	5/16	1.17	.64	.55	5/8	.88
6ELU	3/8	1.18	.66	.55	11/16	.91
8ELU	1/2	1.38	.90	.75	7/8	.98
10ELU	5/8	1.48	.98	.94	1	1.06
12ELU	3/4	1.59	1.00	1.06	1-1/8	1.15
16ELU	41	1.81	1.25	1.26	1-1/2	1.31

- Stainless Steel 316
- Silver Plated Nuts

WE RESERVE THE RIGHT TO CHANGE TOLERANCES AND DIMENSIONS WITHOUT PRIOR NOTICE
 PLEASE CONTACT US IF TOLERANCES AND DIMENSIONS ARE CRITICAL

Units 1-3 Eagle Works 2 Springcroft Road Tyseley Birmingham B11 3EL England

Visit our web page at: <http://www.astonfittings.com>

VALVES - FITTINGS - FLANGES

TUBE - INSTRUMENTATION PACKAGES - SUB CONTRACT MACHINING

Registered in England No 2913370